



HOMEnhancements

Architectural & Engineering Specifications

2023

Ceiling Fans

| | |
|--------------|---------------------------------|
| MODEL | SUN356 NK3LM(WC) |
| SKU | 21207 |
| DESCRIPTION | 3-Blade 56" Nickel AC Motor Fan |
| FINISH | Brushed Nickel |
| BLADES | Light Maple |
| DIMENSIONS | 56" |
| LAMP INFO | 20W 3000K LED |
| LOCATION | Dry Rated |
| WALL CONTROL | WC-2-WH |

Airflow 5,140

Airflow Efficiency 92 CFM



ELECTRICAL REQUIREMENTS: Fixture requires a grounded electrical supply line of 120 volts AC.

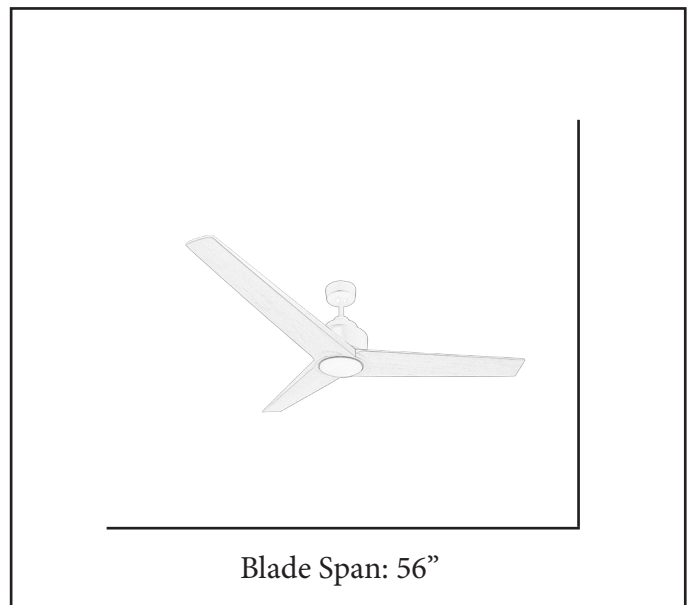
INSTALLATION REQUIREMENTS: Fixture attaches to electrical junction box securely anchored in wall or ceiling.

All mounting hardware included.

Product specifications subject to change without notice.

HOMEnhancements/ 1505-A Kelly Blvd., Carrollton, TX. 75006

Finish Shown: Brushed Nickel



| REFERENCE | QUANTITY | REMARKS | PROJECT | |
|-----------|----------|---------|---------------|--|
| | | | LOCATION/TYPE | |
| | | | ARCHITECT | |
| | | | ENGINEER | |
| | | | CONTRACTOR | |
| | | | SUBMITTED BY | |
| | | | DATE | |