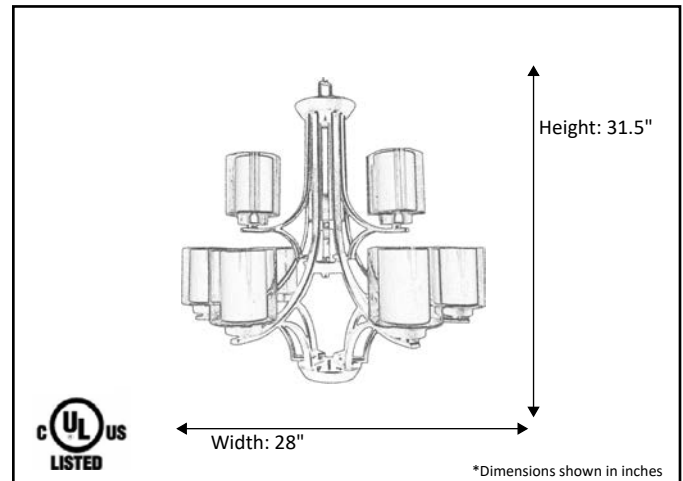


Model #	SNA-CH9-MB
SKU#	19347
Description	9 Light Chandelier
Finish	Matte Black
Glass	Clear/White
Replacement Glass	G-SNA-CL/WH
Dimensions- HxW (Dimensions shown in inches)	31.5" x 28"
Lamp Info	9X60W (M)
Chain/Wire Length	3' Chain/10' Wire

Finish/Glass Shown: Matte Black/Clear/White



\*Lamps not included



**ELECTRICAL REQUIREMENTS:** Fixture requires a grounded electrical supply line of 120 volts AC.

**INSTALLATION REQUIREMENTS:** Fixture attaches to electrical junction box securely anchored in wall or ceiling.  
**All mounting hardware included.**

HOMEnhancements / 1505-A Kelly Blvd., Carrollton, TX. 75006

*Product specifications subject to change without notice.*

REFERENCE	QTY.	REMARKS	Project
			Location/Type
			Architect
			Engineer
			Contractor
			Submitted By: <span style="float: right;">Date:</span>