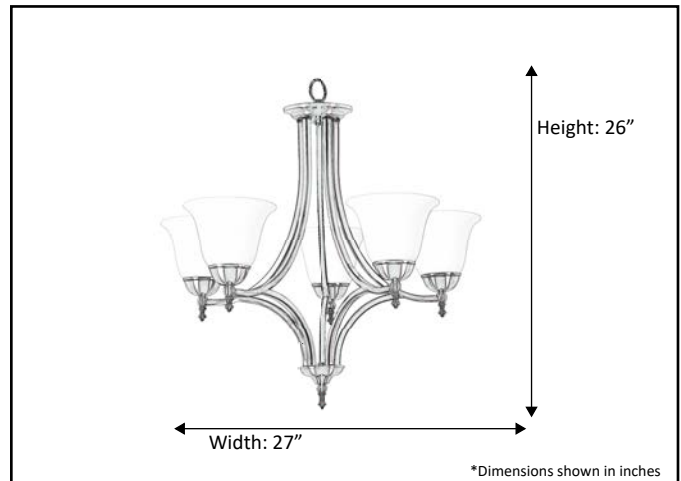


<b>Model #</b>	<b>CH-145WH-NK</b>
<b>SKU#</b>	<b>15267</b>
<b>Description:</b>	5-Light Chandelier
<b>Finish:</b>	Brushed Nickel
<b>Glass:</b>	White
<b>Replacement Glass:</b>	BDF-GLASS-WH
<b>Dimensions- HxW(xD):</b> <small>(Dimensions shown in inches)</small>	26" x 27"
<b>Lamp Info:</b>	5 x 60W E26 (Medium)
<b>Chain/Wire Length:</b>	3' Chain, 10' Wire

Finish/Glass Shown: Brushed Nickel/White



\*Lamps not included



**ELECTRICAL REQUIREMENTS:** Fixture requires a grounded electrical supply line of 120 volts AC.

**INSTALLATION REQUIREMENTS:** Fixture attaches to electrical junction box securely anchored in wall or ceiling.  
**All mounting hardware included.**

HOMEnhancements.com / 1505-A Kelly Blvd., Carrollton, TX. 75006

*Product specifications subject to change without notice.*

REFERENCE	QTY.	REMARKS	Project
			Location/Type
			Architect
			Engineer
			Contractor
			Submitted By: <span style="float: right;">Date:</span>