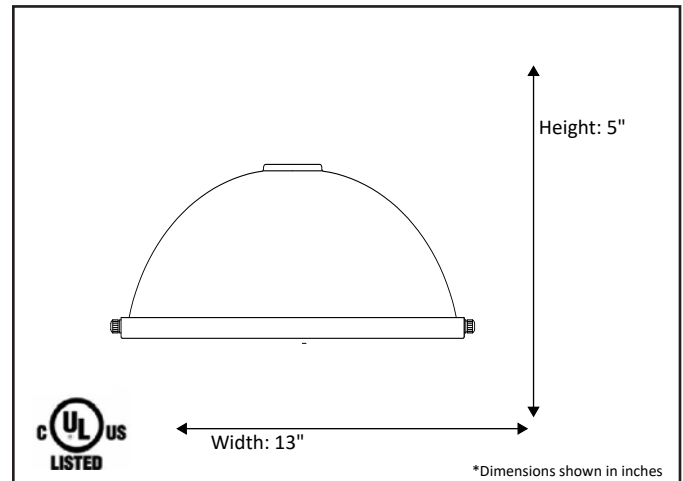


| | |
|--|--------------------------|
| Model # | MP-CAP-RB |
| SKU# | 14226 |
| Description | Metal Dome Pendant Cover |
| Finish | Rubbed Bronze |
| Glass | N/A |
| Dimensions- HxW (Dimensions shown in inches) | 5" x 13" |
| Lamp Info | N/A |
| Chain/ Wire Length | 3' Chain/10' Wire |
| Rods Included | Yes |

Finish/Glass Shown: Rubbed Bronze/Frosted Lens



*Lamps not included



ELECTRICAL REQUIREMENTS: Fixture requires a grounded electrical supply line of 120 volts AC.

INSTALLATION REQUIREMENTS: Fixture attaches to electrical junction box securely anchored in wall or ceiling.
All mounting hardware included.

HOMEnhancements/ 1505-A Kelly Blvd., Carrollton, TX. 75006

Product specifications subject to change without notice.

| REFERENCE | QTY. | REMARKS | Project |
|-----------|------|---------|--|
| | | | Location/Type |
| | | | Architect |
| | | | Engineer |
| | | | Contractor |
| | | | Submitted By: Date: |