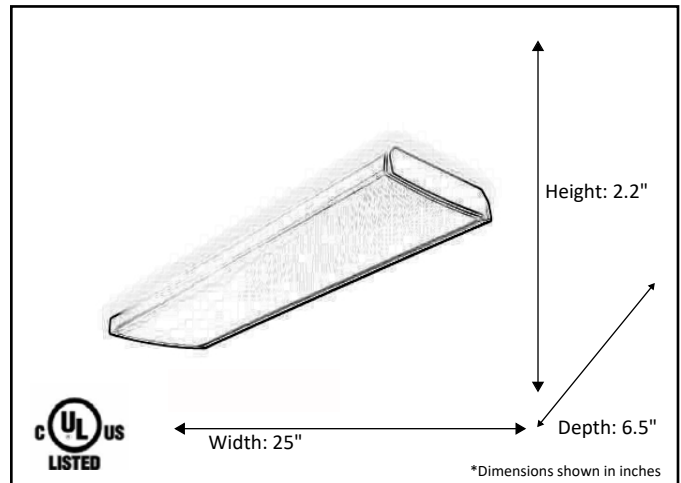


Model #	LED-WRAP-2x2-WH-120V-LAMPS
SKU	21069
Description	Flush Mount Wrap
Finish	White
Dimensions- HxWxD <small>(Dimensions shown in inches)</small>	2.2" x 25" x 6.5"
Lumens	2200
Wattage	17-32W (Bulb Dependant)
Kelvin	4100K
Dimmable	No
Lamp Info	2 X LED T8

Finish: White



ELECTRICAL REQUIREMENTS: Fixture requires a grounded electrical supply line of 120 volts AC.

INSTALLATION REQUIREMENTS: Fixture attaches to electrical junction box securely anchored in wall or ceiling.
All mounting hardware included.

HOMEnhancements / 1505-A Kelly Blvd., Carrollton, TX. 75006

Product specifications subject to change without notice.

REFERENCE	QTY.	REMARKS	Project
			Location/Type
			Architect
			Engineer
			Contractor
			Submitted By: Date: