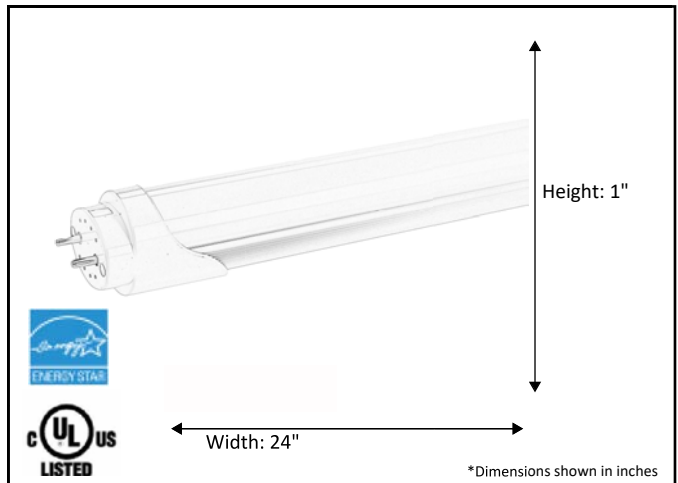


<b>Model #</b>	<b>LED-48T8DE-4K</b>
SKU	21192
Description	48" LED T8 Bypass Tube Lamp
Socket Base	BI-Pin
Bulb Type	LED T8
Dimensions- HxW <small>(Dimensions shown in inches)</small>	1" x 48"
Lumens	2200Lm
Wattage	17W
Kelvin	4000K
Incandescent Equivalent	N/A
Dimmable	No

Finish: White



**ELECTRICAL REQUIREMENTS:** Fixture requires a grounded electrical supply line of 120 volts AC.

All mounting hardware included.

HOMEnhancements / 1505-A Kelly Blvd., Carrollton, TX. 75006

*Product specifications subject to change without notice.*

REFERENCE	QTY.	REMARKS	Project
			Location/Type
			Architect
			Engineer
			Contractor
			Submitted By: <span style="float: right;">Date:</span>